
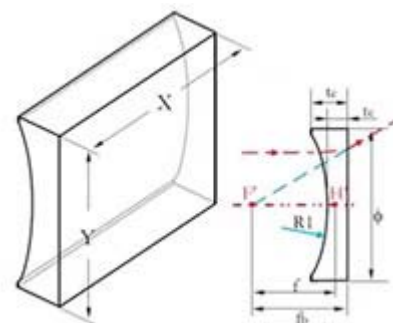


PLANO-CONCAVE CYLINDRICAL LENSES

Specification

Material:	N-BK7 or Click this to Glass List 
Dimension Tolerance:	+0 / -0.05mm
Design Index Tolerance:	N=1.5147
Center Thickness Tolerance:	±0.05mm
Paraxial Focal length:	±2%
Centration	3arc minutes
Surface Figure:	λ/4@632.8nm
Surface Quality:	40 / 20
Bevel:	0.25 × 45°
Clear Aperture:	>90%
Coating:	Specified by customer



PRODUCTS LIST

Part No.	XxY [mm]	F [mm]	R1 [mm]	tc [mm]	te [mm]	fb [mm]
SSL-RO-PEC-001	10.0 × 10.0	-12.7	6.54	4.3	2.0	-14.0
SSL-RO-PEC-002	20.0 × 10.0	-12.7	6.54	4.3	2.0	-14.0
SSL-RO-PEC-003	10.0 × 10.0	-25.0	12.87	3.0	2.0	-26.3
SSL-RO-PEC-004	20.0 × 10.0	-25.0	12.87	3.0	2.0	-26.3
SSL-RO-PEC-005	20.0 × 20.0	-50.0	25.73	4.0	2.0	-51.3
SSL-RO-PEC-006	40.0 × 20.0	-50.0	25.73	4.0	2.0	-51.3
SSL-RO-PEC-007	20.0 × 20.0	-75.0	38.60	3.3	2.0	-76.3
SSL-RO-PEC-008	40.0 × 20.0	-75.0	38.60	3.3	2.0	-76.3
SSL-RO-PEC-009	20.0 × 20.0	-100.0	51.47	4.0	3.0	-102.0
SSL-RO-PEC-010	40.0 × 20.0	-100.0	51.47	4.0	3.0	-102.0
SSL-RO-PEC-011	20.0 × 20.0	-150.0	77.20	3.7	3.0	-152.0
SSL-RO-PEC-012	40.0 × 20.0	-150.0	77.20	3.7	3.0	-152.0
SSL-RO-PEC-013	20.0 × 20.0	-200.0	102.93	3.5	3.0	-202.0
SSL-RO-PEC-014	40.0 × 20.0	-200.0	102.93	3.5	3.0	-202.0
SSL-RO-PEC-015	20.0 × 20.0	-250.0	128.67	3.4	3.0	-252.0
SSL-RO-PEC-016	40.0 × 20.0	-250.0	128.67	3.4	3.0	-252.0
SSL-RO-PEC-017	20.0 × 20.0	-500.0	257.33	3.2	3.0	-502.0
SSL-RO-PEC-018	40.0 × 20.0	-500.0	257.33	3.2	3.0	-502.0

